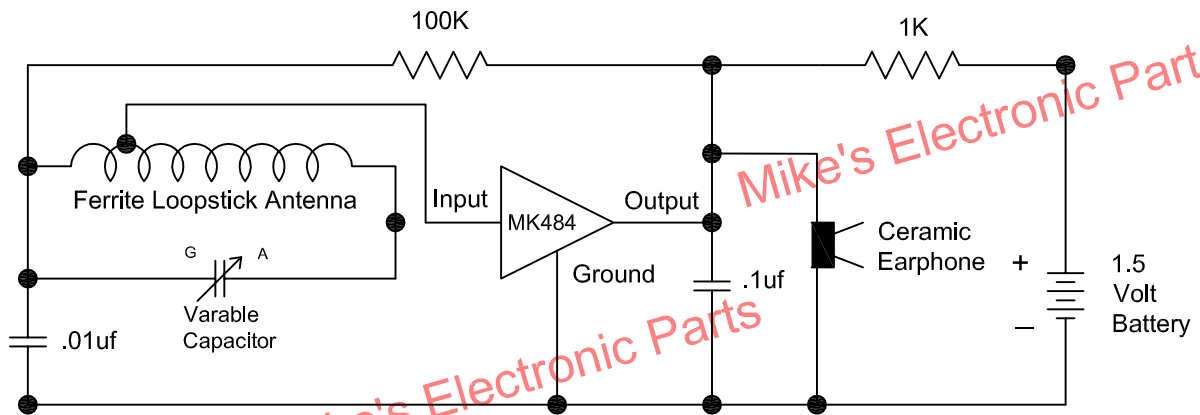


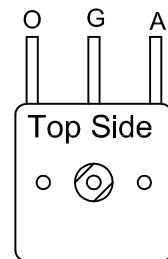
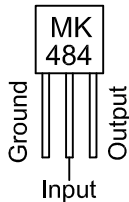
# Mike's Electronic Parts

## MK484 Basic Simple AM Radio Driving A Ceramic Earphone Alternate Wiring For Kit #4

<https://www.mikeselectronicparts.com/>



Flat Side Up



Variable Capacitor

This is a simple basic AM radio made from the MK484 IC. The MK484 IC looks like a transistor only three pins and packaged in a TO-92 case. The MK484 contains 10 transistors and has a gain of 72 db. It also has automatic gain control provided by the 100K resistor. The MK484 is made to operate from 1.1 to 1.8 volts over 1.8 volts will destroy the chip and may have a tendency to oscillate at the higher voltages. The 1K resistor can be increased to 2.2K or reduced to 500 Ohm. Below 500 Ohm may harm the IC. If you do not use the taps on the coil do not cut them. This will cause the coil not to work. Just leave it as is.

The Kit I sell has the following items.

- 1- Ceramic Earphone
- 1- MK484 IC
- 1- 100K Resistor Brown Black Yellow Gold
- 1- 1K Resistor Brown Black Red Gold
- 1- .1uf capacitors marked 104
- 1- .01uf capacitor marked 103
- 1- Plastic Variable Capacitor
- 1- Ferrite Loopstick Antenna Coil
- 1- AA Battery Holder

Does not include any antenna wire, Ground wire, or batteries. You the get the above parts only.

Mike's Electronic Parts

Designed and Drawn By: Scott Lowe  
his Is Our Kit Number MK484-4

<https://www.mikeselectronicparts.com/>