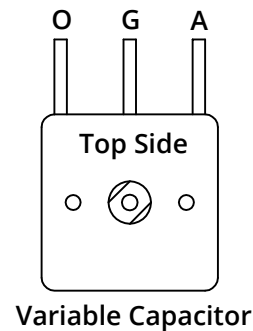
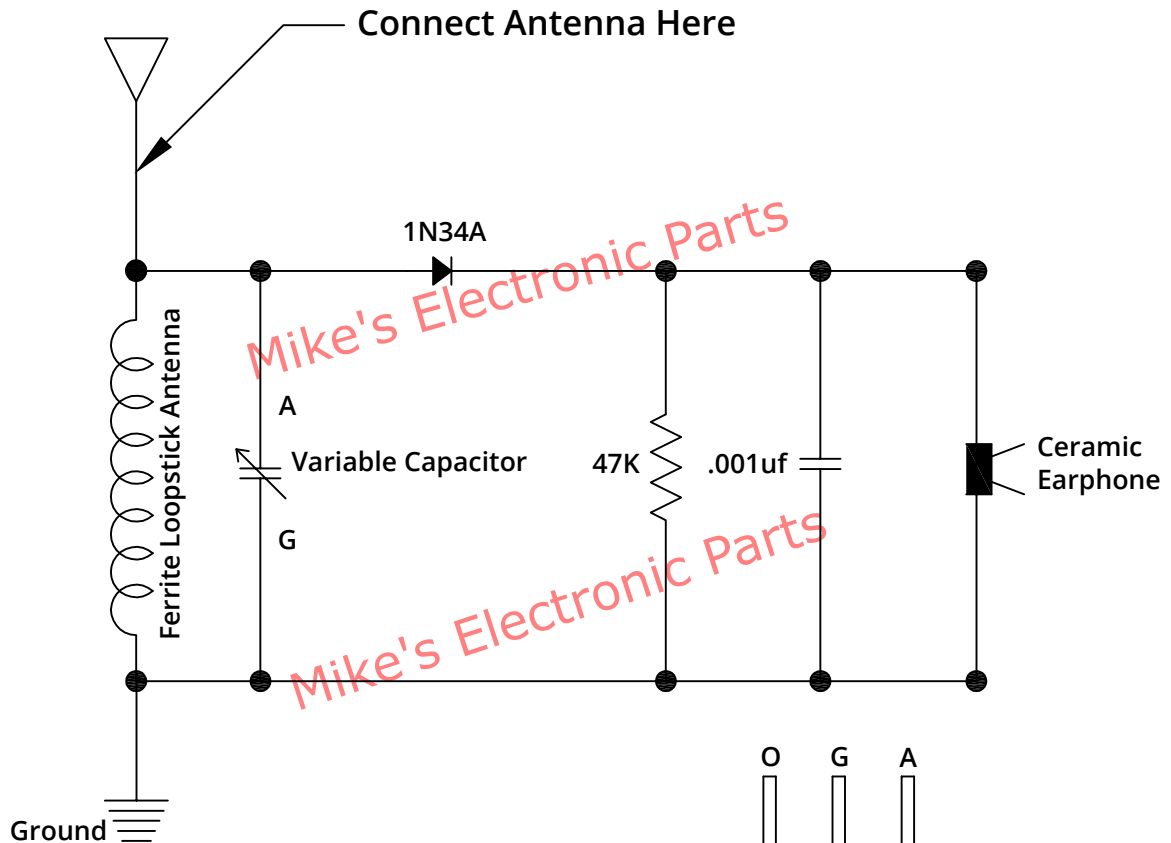


Mike's Electronic Parts, LLC

Simple Crystal Radio Kit 3

<https://www.mikeselectronicparts.com/>



Parts List

1 - Ferrite Loopstick Antenna

1 - Variable Capacitor

1 - Knob and Shaft

1 - Germanium Diode 1N34A

1 - .001uf Capacitor Marked 102

1 - 47K Resistor

1 - 20 Million Ohm Ceramic Earphone

Antenna and Ground wire not include with parts

For an antenna connect a 15 to 50ft length of wire. It is best to use a long antenna. A good ground may be required if so run a wire for ground to the nearest ground source.

Drawn By: Scott Lowe

This Kit can be bought at my web site Part Number CRK#3 Kit.

<https://www.mikeselectronicparts.com/>