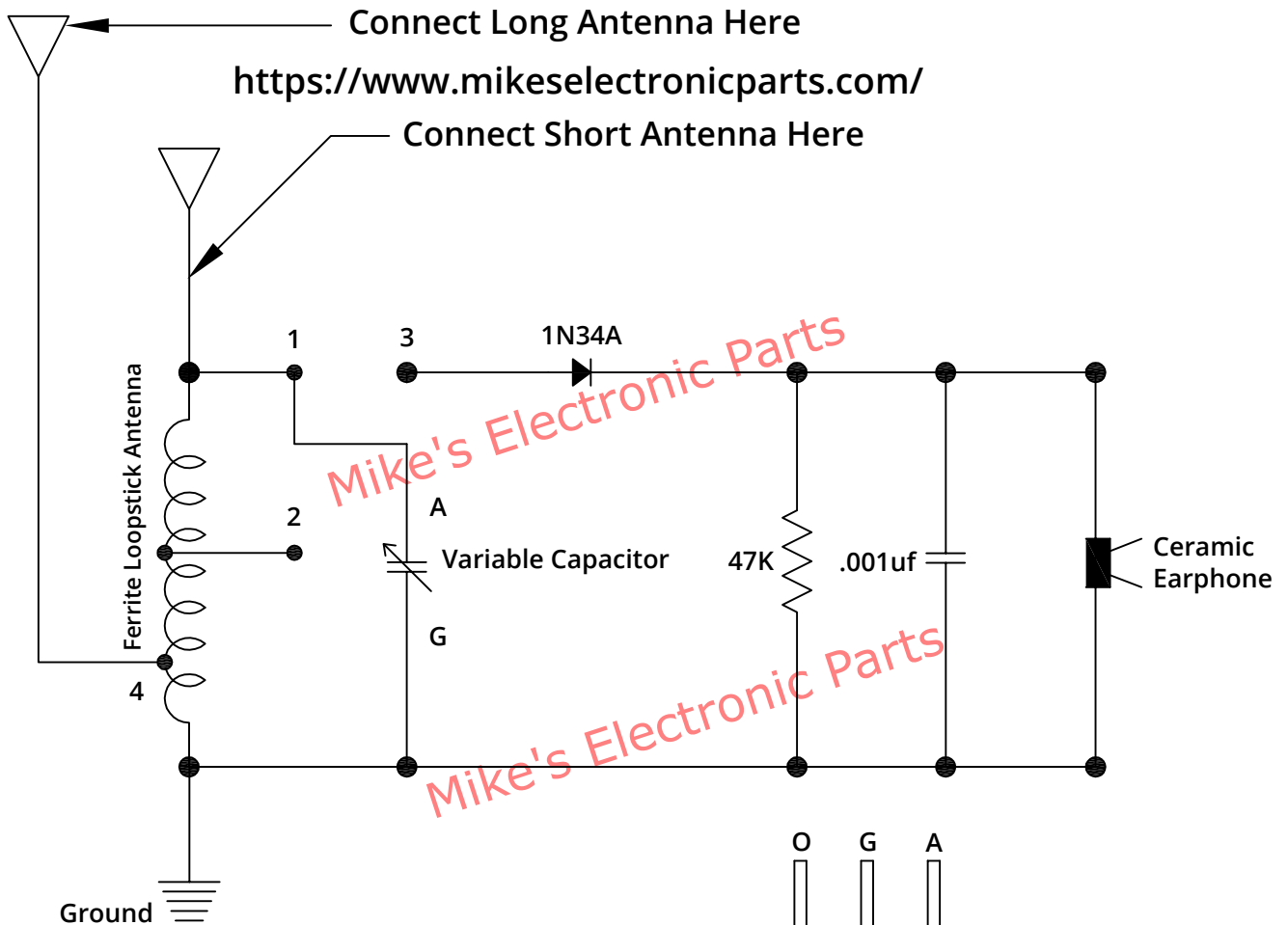


Mike's Electronic Parts, LLC

Simple Crystal Radio Kit 2



Parts List

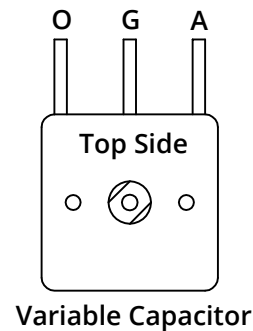
- 1 - Ferrite Loopstick Antenna
- 1 - Variable Capacitor
- 1 - Knob and Shaft
- 1 - Germanium Diode 1N34A
- 1 - .001uf Capacitor Marked 102
- 1 - 47K Resistor
- 1 - 20 Million Ohm Ceramic Earphone

Antenna and Ground wire not include with parts

For short antenna connect a 15ft to 30ft length of wire to "1". For long antenna 40ft to 100ft connect to "4". It is best to use a long wire antenna. If you are not using the taps do not cut the wires. Doing so will cause the coil not to work. Various connections are, Connect 1 to 3 or Connect 2 to 3. Most volume can be had at 1 to 3 less volume but better selectivity connect 2 to 3 and the antenna connected at 1. It is best to solder the coil wire, not doing so may cause a bad connection and the radio will not work.

Drawn By: Scott Lowe

This Kit can be bought at my web site Part Number CRK#2 Kit.



<https://www.mikeselectronicparts.com/>