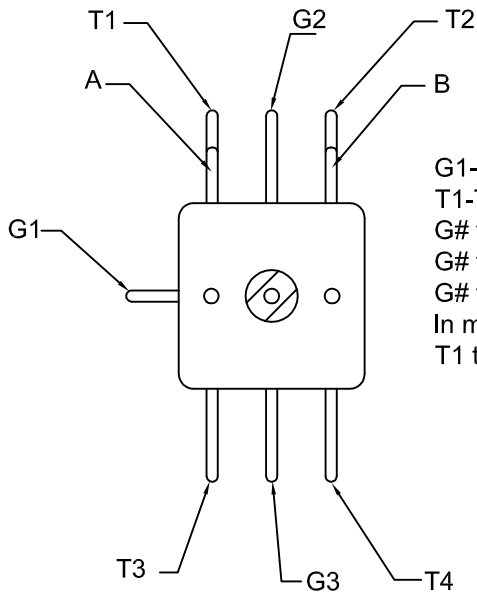


Mike's Electronic Parts, LLC
<https://www.mikeselectronicparts.com/>



G1-G2-G3 Are all ground connections use any one or all of them for ground.
T1-T4 Are connected to the trimmer capacitors on the back of the capacitor.

G# to A = 0-266pf

G# to B = 0-266pf

G# to A&B connected together = 0-532pf

In most cases you will not need to use the trimmers T1-T4 . If you do just connect T1 to A and T2 to B.