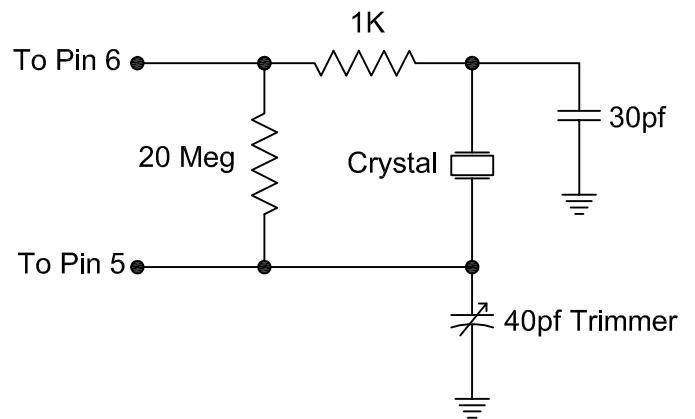


MM5369 50-60Hz Time Base



Divide by 59,659 time base

Crystal for 60Hz out = 3.579545Mhz

Crystal for 50Hz out = 2.982950Mhz

Tuner Output for checking crystal frequency without loading the crystal.

Operates from 3 to 15 volts. May need 10 volts to operate at 50-60Hz crystal frequencies

Drawn by Scott Lowe

Mike's Electronic Parts, LLC

<https://www.mikeselectronicparts.com/>